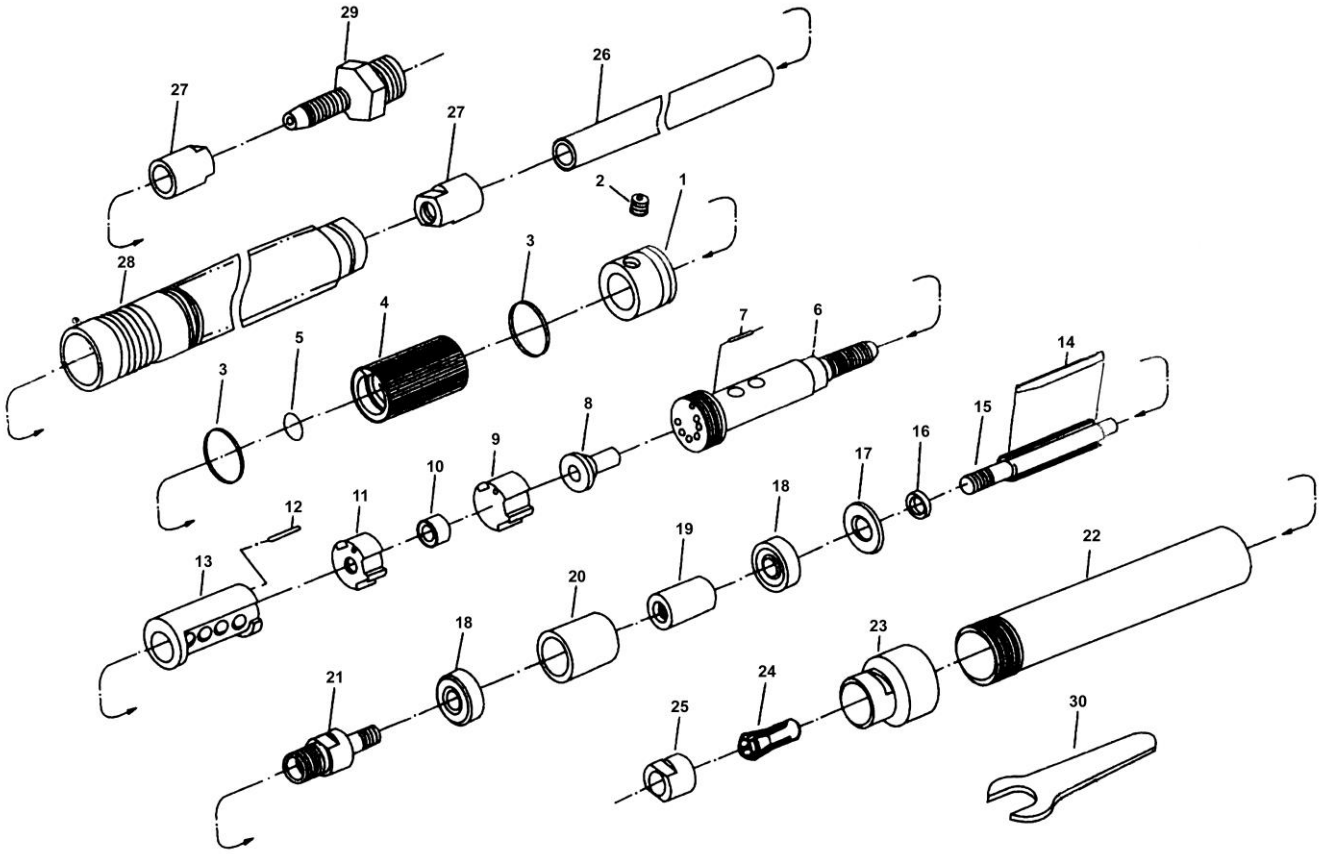


HEAVY DUTY AIR HIGH SPEED MICRO DIE GRINDER



6253

INDEX NO.	DESCRIPTION	REQ'D NO.	INDEX NO.	DESCRIPTION	REQ'D NO.
01	Rear End Holder	1	16	Spacer	1
02	Screw	1	17	Lateral Disc	1
03	O-Ring	2	18	Ball Bearing	2
04	Sliding Knob	1	19	Interior Bearing Retainer Bushing	1
05	O-Ring	1	20	Outer Bearing Retainer Bushing	1
06	Hose Plug	1	21	Collet Foundation	1
07	Pin	1	22	Sleeve	1
08	Plug	1	23	Front Cover	1
09	Intake Plate	1	24	Collet	1
10	Ball Bearing	1	25	Clamping Nut	1
11	Bearing Plate	1	26	Muffler Tube	1
12	Pin	1	27	Hose Ring	2
13	Cylinder	1	28	Air Hose	1
14	Rotor Blade	4	29	Inlet Connector	1
15	Rotor	1	30	Spanner	2

0000.00.00

2004.03.31 2010.08.21